

Real square

SQUARE

User's Manual

DUOBACK

For safety, please follow the instructions in this manual.

This product is one-person-use designed, and indoor use (in office and home). It should not be used outdoors

Safety Instructions

- This product is one-person-use designed, and indoor use (in office and home). It should not be used outdoors.
- Tighten the bolts and handle bolts of the product once every month.
- When cleaning the product, use a vacuum cleaner or wipe it with soft fabric

This is important information for the user's safety and for prevention of property damage. Please read carefully to use the product correctly.

Warning If directions are not followed correctly, it could cause a serious injury or damage property.

Caution If directions are not followed there could be personal injury or property damage.

Warning

Use the product for its purpose

- Going to sleep on the product or using it to exercise can cause serious injury including death when the product falls over.

Do not lean or stand up on the product

- It could cause a serious injury if the product if the product rolls over

Do not lift your legs on a high surface when sitting on the product.

- In case the product slips/falls, It is possible it might cause serious injury and even death

Do not lean too far on the product

- In poses a risk of injury if the product falls

Do not use excessive force on the armrest.

- There is a risk of injury

Do not crawl under the product

- There is a risk of getting injured if the product falls

When using the product, sit correctly maintaining correct position

- When leaning on the backrest, seat pan, or the armrest, there is risk of injury

When someone is sitting down, do not spin or push

- There is a risk of injury

Do not put your hand in the product's gap between parts and the mechanism.

- Your hand can get caught causing injury

Limited Warranty

LIMITED WARRANTY TERMS & CONDITIONS

1. All DUOFLEX products comply with the highest standard of quality assurance and inspection programs. DUOFLEX products are fabricated using more than 100 pieces of parts which have undergone stringent superiority tests.
2. In case any manufacturing or material defect with DUOFLEX chair is found, all parts will be provided free of charge during the warranty period from the original purchase date.
3. This limited warranty is valid for THREE YEARS to FIVE YEARS under an applicable warranty classification (from the date of purchase) against all possible manufacturing defects arising from materials and workmanship.
4. This warranty becomes invalid should the serial number (barcode) be removed or altered. All repairs and service work under these warranties must be performed only by DUOFLEX authorized agent. Such service shall be provided during normal business hours. Customers are advised to contact DUOFLEX authorized agent for further details.
5. The warranty amount is limited to no more than the value of the product. It does not cover damage caused by misuse or neglect, accidents, abrasions, normal wear and tear or any manner of tampering, self modifications, abuse or Act of God.
6. If the purchased DUOFLEX product is damaged due to the above-mentioned causes, customers are advised to contact their local agent who will advise them of the appropriate solution which may be subjected to payment of a fee.
7. If identical materials or models are not available at the time of repair or replacement, DUOFLEX authorized agent reserves all rights to substitute parts or models of equal quality or value.
8. THIS LIMITED WARRANTY IS THE SOLE REMEDY FOR PRODUCT DEFECT AND NO OTHER EXPRESS OR IMPLIED WARRANTY IS PROVIDED, INCLUDING BUT NOT LIMITED TO ANY IMPLIED WARRANTIES OF MERCHANTABILITY OR FITNESS FOR A PARTICULAR PURPOSE, WE SHALL NOT BE LIABLE FOR CONSEQUENTIAL OR INCIDENTAL DAMAGES ARISING FROM ANY PRODUCT DEFECT.

WARRANTY CLASSIFICATION		
PERIOD OF WARRANTY	PARTS	CLASSIFICATION
Year	Body Frame	Backrest Frame, Armrest Frame and Other Body Frames
Year	Mechanism, Cylinder, Form, Casters	Malfunction of Adjusting Height & Width, Swiveling and Locking.
Year	Flexible Rubber Connector, Seat Pan Materials (Mesh, Fabric and Leather)	Damage and Discoloration of Materials.

DUOBACK CO.,LTD.

27, Gajaeul-ro 32beon-gil, Seo-gu, Incheon, Korea, 404-250

Tel: +82-2-6204-2584 Fax: +82-32-816-4817

Web Site : www.duorest.com

Ver.200202

Any specification of chair may be changed or modified for its quality enhancement without any prior notice.

Make sure infants, children, and pets do not bite or suck on the product.

- There is a risk of suffocation due to small, loose parts

Teach the child how to use the product properly and check up on them

- There is a risk of injury

No more than two people should sit on the seat pan

- It may cause damage to the product and serious injury

Be careful not to pinch your toes on the caster

- there could inflict to the toes injury

Caution

Do not use a sharp tool such as a knife when assembling the product

- There is a risk of personal injury and product damage

Do not use fire on the product or place it near heat such as direct sunlight

- There is a risk of igniting a fire

Do not throw or push the product with force

- It may hurt others and cause damage to product

Assemble the product following instructions on the manual

- If the product is broken by not following the instruction manual, the product cannot be fixed free of charge under the warranty

Use gloves when assembling

- Handling with bare hands may risk injury

Do not use excessive force when assembling

- The product itself and/or several connecting handle bolts may be damaged or broken

Do not place or store the product on a slope

- When the product falls, the product and the floor may be damaged due to impact

Do not use the product where it is wet or polluted

- If the product slips, it could cause injury or contaminate the product

Do not place the product near a humidifier

- When using a humidifier, the calcareous components dissolved in the water may cause dust matter to accumulate on the product.

Use a floor mat when using the product on surfaces that can be easily damaged

- The floor may become contaminated or damaged

Constantly remove the dirt complied on the caster

- If the dirt is accumulated over time, it may become the source of damage

When cleaning a stained fabric, do not try to disassemble the product or wash it out with water

- It may alter the shape and cause the product to malfunction in use
- If the fabric is partly contaminated, rub with mild detergent and use after it completely dries.

Do not use the foot rest to get on the chair.

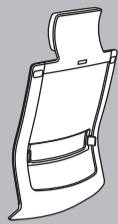
- It may cause damage and injury if the product falls over.

Components

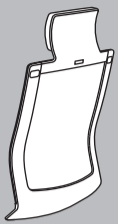
• Main components

(Make sure if you have all the components beforehand.)

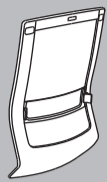
Backrest (4 Options)



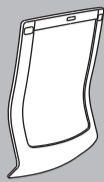
Headrest O /
Lumbar support O



Headrest O /
Lumbar support X

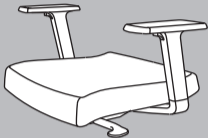


Headrest X /
Lumbar support O

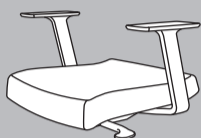


Headrest X /
Lumbar support X

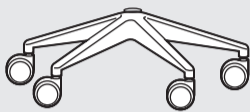
Seatpan (2 Options)



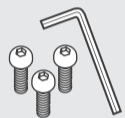
Adjustable
armrest



Fixed
armrest



5 Star Base
5 Castors



3 Bolts(M6x16mm) X 1 Wrench



Gas cylinder



Manual

Material

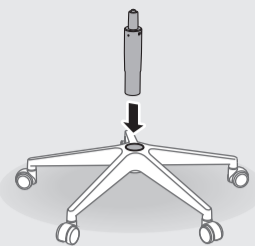
Structural: Steel, Synthetic resins

Cushioning: Urethane foam

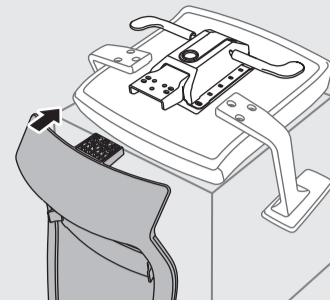
Surface: Polyester 100%

How to Assemble

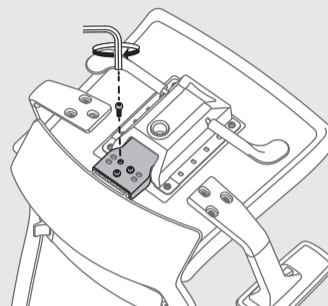
1 Remove red cap on the top of the gas cylinder and insert it to the center hole of the base.



2 Assemble backrest with seatpan.



3 Tighten the 3 bolts firmly with wrench.



4 Insert the chair body onto the gas cylinder.



5 Assembly complete.

SPEC

Specification

W (Seat width)
D (Seat depth)
H (Chair height)

Fixed
armrest

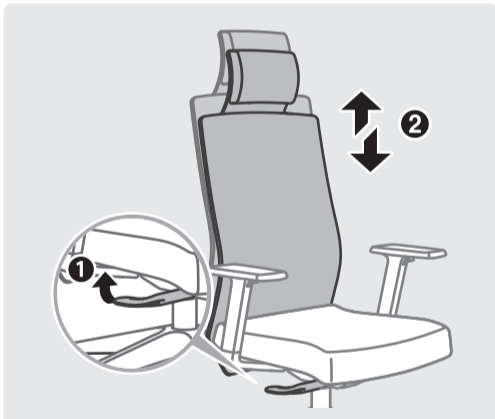


Adjustable
armrest



How to Use

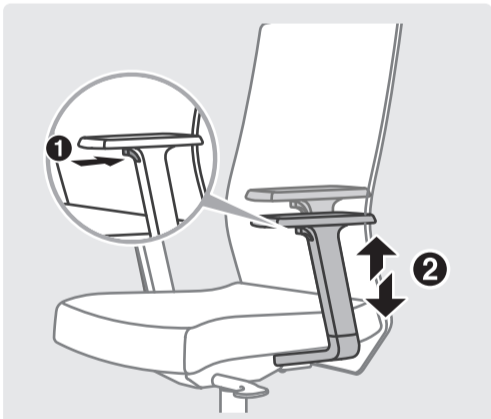
Adjusting Seat Height



Pull the lever on the right hand side while sitting (1), and release the lever on desired position (2).

– To raise: Raise your body off the chair.
– To lower: Remain seated

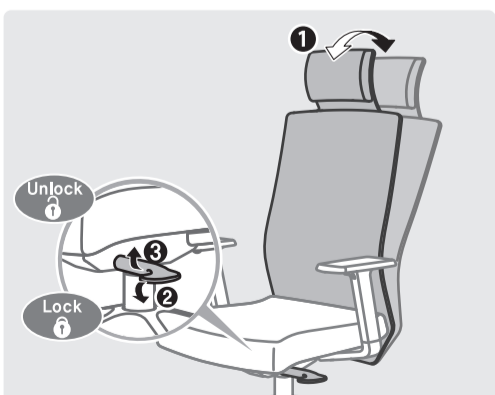
Adjusting Armrest Height



While pressing the armrest height adjustment button (1), and release the button on desired position (2).

FYI Adjustable armrest only.

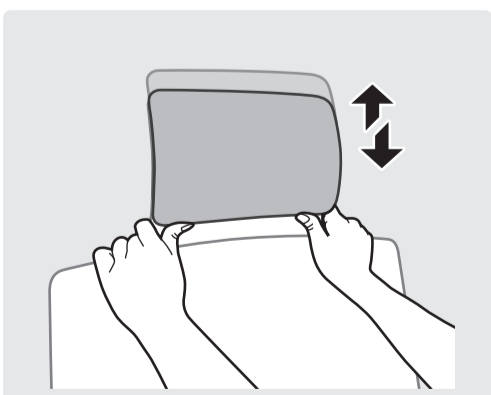
Adjustable Tilting Angle



Pull the lever on the left hand side (1), and recline desired position (1~3 stages) (2).

FYI If you want to turn it back to the original position, lean back while lifting the lever. Then, the chair will be returned to the original position.

Adjusting Headrest Height

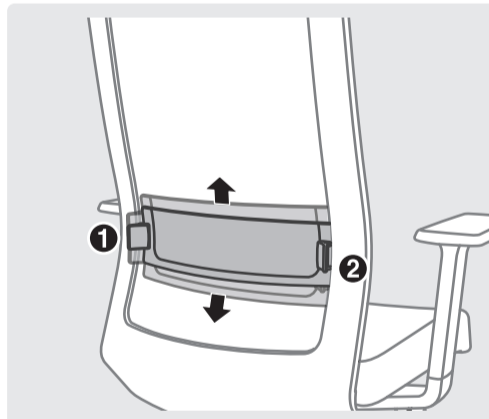


Push it up on desired position. Or press it down until desired position.

FYI Backrest with Headrest only.

How to Use

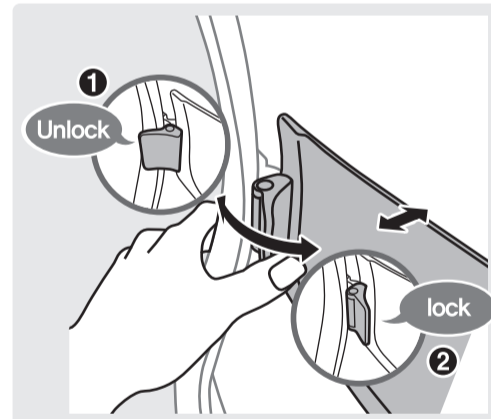
Adjusting Lumbar Support Height



Unlck the both lever (1, 2) outside and move up and down to adjust height.

FYI Backrest with Lumbar Support only

Adjusting Lumbar Support Tension



Lock/unlock the both lever (1, 2) inside / outside for tension.

Adjusting Seat Depth



pull the lever on the left-hand side and release the lever at desired position.