

FOLDING



FEATURES

- Ergonomic DUOREST® System
- Easy Moving Grip
- Foldable Frame
- Optional Foldable Armrest
- Optional 360°rotatable seat

SPECIFICATIONS

- Net Weight : 6.8kg (15lbs)
- Frame : STEEL
- Cushion Seats : Polyurethane fill
- Seat Pan Frame : PP
- Armrest Materials : PA6
- Carton Box Size : 595*595*225 (mm)
- Container Loading Plan : 20ft : 400 boxes //
40ft : 850 boxes // 40H : 950 boxes

Mesh



Raschel Cocoa
(6RMC1)

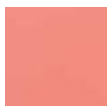


Raschel Blue
(6RMB1)



Raschel Grey
(6RMG1)

Syn. Leather



Mild Coral
(2SEC1)



Mild Blue
(2SEB1)



Peacock
Blue (2SEB2)



Charcoal Grey
(2SEY2)

STATEMENT OF LINE



Standard
(DR-920)



Rotating Seat
(DR-920T)

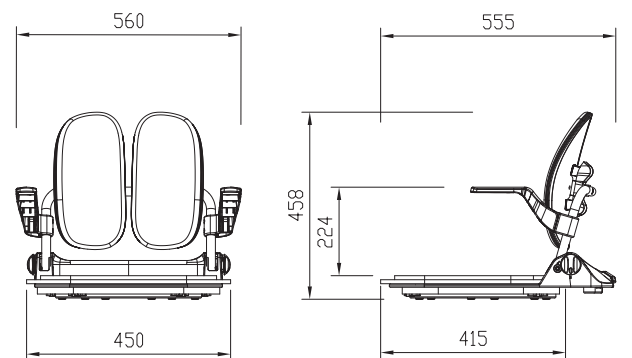
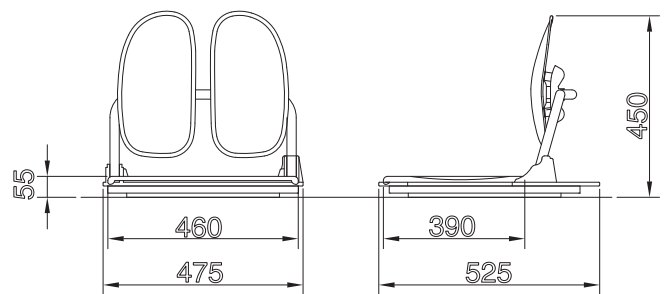


Armrest
(DR-930GH)



Armrest and Rotating
Seat (DR-930GF)

DIMENSIONS



CERTIFICATIONS

TB117-2013
GREENGUARD Gold
ISO 14001 & 9001



Ver. 202012

DUOBACK CO.,LTD

HQ (Factory) : 27, Gajaeul-ro 32beongil, Seo-gu, Incheon, 22829, Korea.
Sales Office : #1002, 41, Digital-ro 31gil, Guro-gu, Seoul, 08375, Korea
T : +82-2-6204-2584 / F : +82-32-816-4817 / export@duoback.co.kr
www.DUOREST.com