

SEMINAR



FEATURES

- Ergonomic DUOREST® System
- Multi-purpose seating
- Perfect for collaborative, meeting, training and break room spaces

SPECIFICATIONS

- Net Weight : 7.2kg (15.9lbs)
- Body Frame : STEEL
- Backrest Frame: PP
- Cushion Seats: Polyurethane fill
- Carton Box Size : 640*625*730 (mm)
- Container Loading Plan : 20ft : 81 boxes // 40ft : 171 boxes // 40H : 228 boxes

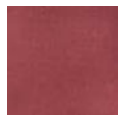
Textile (Back and Seat)



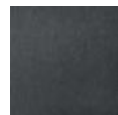
Fog Blue
(9FBE1)



Fog Green
(9FGN1)



Fog Red
(9FRD1)

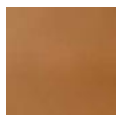


Fog Grey
(9FGY1)

Syn. Leather



Marine
Blue (2SEB2)



Caramel
Brown (2CBN1)



Embossed
Black (2SEK1)

STATEMENT OF LINE

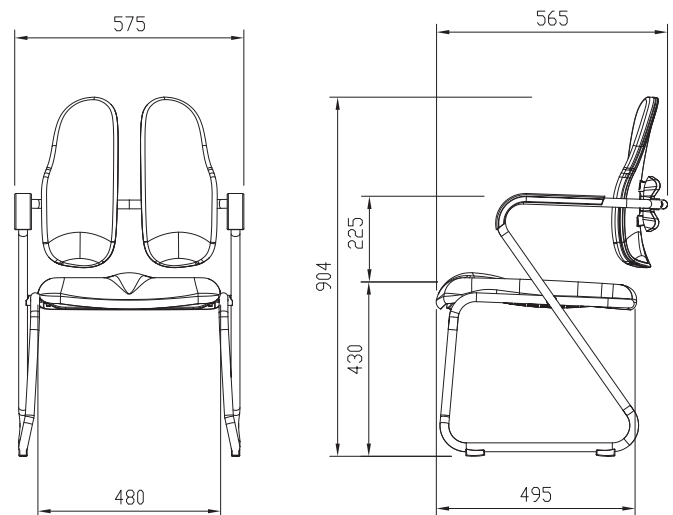


Standard
(DR-730W)



Without Armrest
(DR-430W)

DIMENSIONS



CERTIFICATIONS

TB117-2013
GREENGUARD Gold
ISO 14001 & 9001



DUOBACK CO.,LTD

HQ (Factory) : 27, Gajaeul-ro 32beongil, Seo-gu, Incheon, 22829, Korea.
Sales Office : #1002, 41, Digital-ro 31gil, Guro-gu, Seoul, 08375, Korea
T : +82-2-6204-2584 / F : +82-32-816-4817 / export@duoback.co.kr
www.DUOREST.com