

Q6



A CLOSER LOOK

Mesh Back

Provides dynamic support and allows airflow, providing a comfortable sit in any environment.

Arms

Comfort Stationary
Nylon Armrest

Seat Pad

Provides a comfortable sit in any environment.

Single-piece shell

Provides a natural cradle.



Casters

Soft dual-wheel casters are 60mm O.D. for use on hard floors. Only available in Black and two-tone White.

Nesting Mechanism

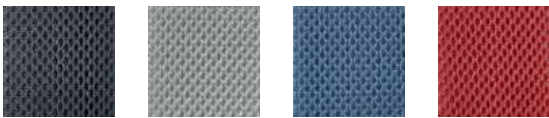
Allows chairs to be nested together and maximized for space saving.



FEATURES

- Multi-purpose Nesting chair
 - Mesh Back
 - Perfect for collaborative, meeting, conference and break space rooms or cafeterias
 - Single-piece shell provides a natural cradle
 - Nesting Mechanism allows chairs to be nested together
 - Comfort Stationary Nylon Armrest
 - Seat Pad (or Without Seat Pad)
 - 60mm Hoodless Hard Floor Casters in Black and two-tone White
 - Frame available in Black and White
-

Mesh (Back)



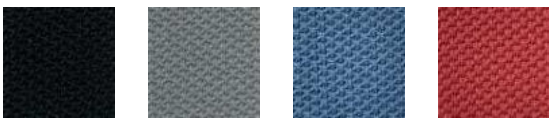
Q6 Mesh Grey
(8QMG1)

Q6 Mesh
Light Grey
(8QML1)

Q6 Mesh Blue
(8QME1)

Q6 Mesh Red
(8QMR1)

Textile (Seat Pad)



Q6 Grey
(9QGY1)

Q6 Light Grey
(9QLG1)

Q6 Blue
(9QBE1)

Q6 Red
(9QRD1)

STATEMENT OF LINE



Standard



White Frame



Without Seat Pad



Glide

CERTIFICATIONS

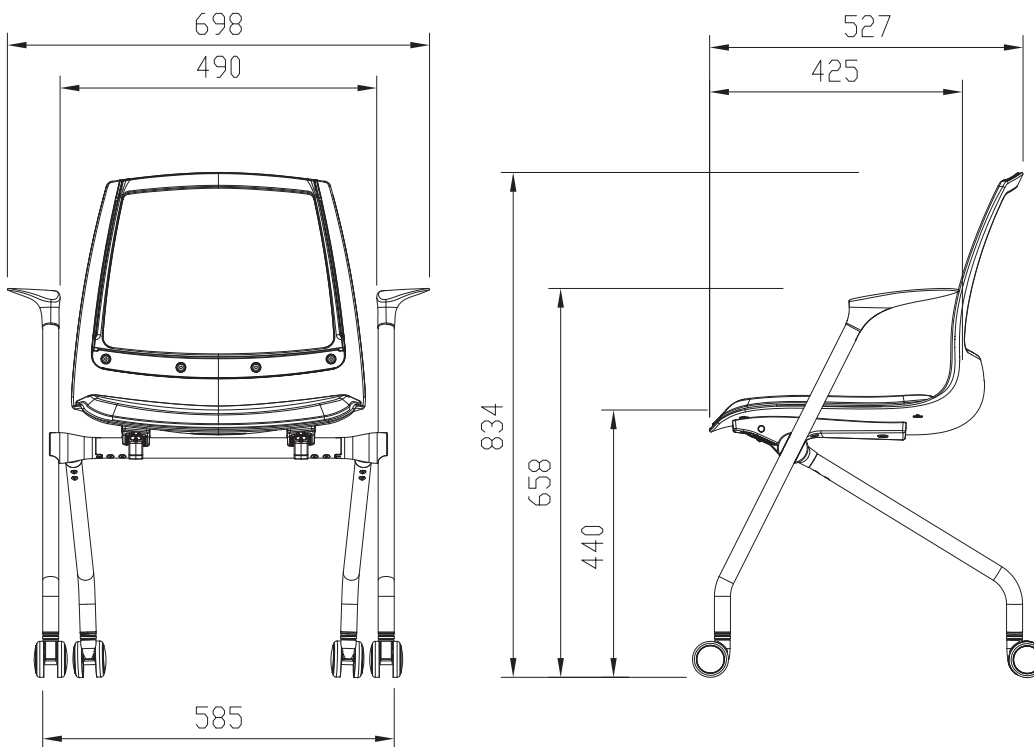
- TB117-2013
- ISO 14001 & 9001



SPECIFICATIONS

• Net Weight (mesh)	9.49kg (21.9lbs)
• Body Shell	PA6
• Cushion Seats	Polyurethane fill
• Seat Pan Frame	PP
• Armrest	PA6
• Shell Bracket	PA6
• Frame	AL and STEEL
• Casters Materials	PA6 and PU
• Carton Box Size	720*600*630(mm)
• Container Loading Plan	20ft : 81 boxes // 40ft : 180 boxes // 40H : 240 boxes

DIMENSIONS



Ver. 202012

DUOBACK CO.,LTD

HQ (Factory) : 27, Gajaeul-ro 32beongil, Seo-gu, Incheon, 22829, Korea.
 Sales Office : #1002, 41, Digital-ro 31gil, Guro-gu, Seoul, 08375, Korea
 T : +82-2-6204-2584 / F : +82-32-816-4817 / export@duoback.co.kr
 www.DUOREST.com

