

# MILKY



Adjustment Guide

## FEATURES

- Ergonomic DUOREST® System
- Depth and Height Adjustable Backrest
- Comfort Stationary Armrest
- Optional DUALINDER® Locking System
- Optional 2-step Block footrest

## SPECIFICATIONS

- Net Weight : 12.5kg (27.5 lbs)
- Body Frame : STEEL
- Backrest Frame : PA6
- Cushion Seats : Polyurethane fill
- Seat Pan Frame : PP
- Fixed Armrest : STEEL and PA6
- Base Materials : PA6
- Casters Materials : PA6 and PU
- Carton Box Size : 600\*630\*520 (mm)
- Container Loading Plan : 20ft : 123 boxes  
// 40ft : 252 boxes // 40H : 304 boxes

## STATEMENT OF LINE



Standard  
(MI-218DF)



Without Footrest  
(MI-218D)

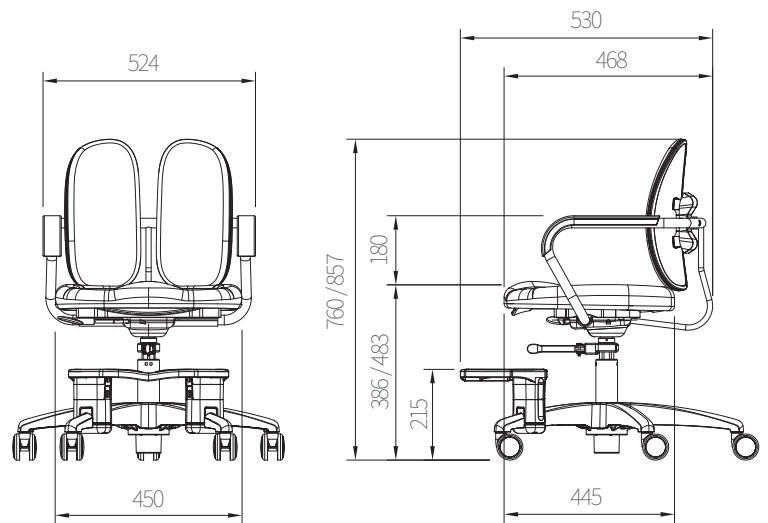


Without DUALINDER  
(MI-218F)



Without Footrest &  
DUALINDER (MI-218)

## DIMENSIONS



## Syn. Leather



Mild Blue (2SEB3)   Mild Green (2SEG1)   Mild Lime (2SEL1)   Mild Pink (2SEP2)   Mild Coral (2SEC1)

## CERTIFICATIONS

TB117-2013  
GREENGUARD Gold  
ISO 14001 & 9001



Ver. 202012

## DUOBACK CO.,LTD

HQ (Factory) : 27, Gajaeul-ro 32beongil, Seo-gu, Incheon, 22829, Korea.  
Sales Office : #1002, 41, Digital-ro 31gil, Guro-gu, Seoul, 08375, Korea  
T : +82-2-6204-2584 / F : +82-32-816-4817 / export@duoback.co.kr  
www.DUOREST.com