



User's Manual (Models: DR-920, DR-920T)

Thank you for choosing DUOREST ergonomics chair. Before using your **Duorest** chair, please read the "Safety Instructions" carefully, as it explains the correct and safe handling of the chair. After reading the Safety Instructions, save this manual for future reference.

Duorest's unique twin backrest design is patented worldwide.

Safety Instructions

⚠ Notice

When sitting, don't move the chair roughly or play with the chair.

◆ This can lead to injury or damage to the chair.



Don't put your hands and fingers into the space of folding hinge when folding the chair.

◆ This can lead to injury or damage to the chair.



When sitting, don't move the chair.

◆ This can cause scratch on the floor.

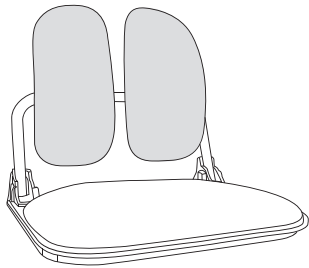


Don't use outside, in areas of direct sunlight, or near a heater.

◆ This can cause damage, discoloration, and deterioration to the chair

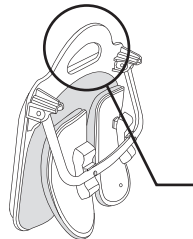


FEATURES INSTRUCTIONS



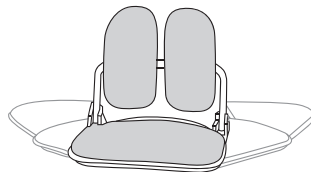
Two-Back Systems

With two separated backrests that adapt to any body frame and posture and reduce the pressure on vertebrae by up to 20 kgs. The special rudder connector part responds to upper body movement. Duorest gives firm support while you work.



Easy Handling

With the folding design, the chair can be easily folded and carried around.



360 Degrees Rotation

With the 360 degrees Rotating mechanism, the user can move his or her body freely in a sitting position while moving his or her waist.

< only DR-920T >

Basic Cleaning & Care

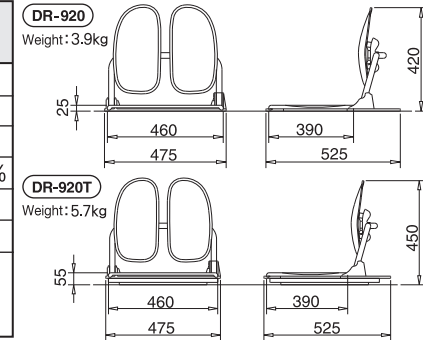
Wipe the cushion with a cloth. In case of spills, use a mild cleaner. Don't use cleaning products containing benzene or alcohol.

Disposal

Help keep the environment clean by disposing of your chair in accordance with local regulations in your area.

Parts Material

Parts	Application Model	Material
Parts material	Seat	Polypropylene
	Back	Steel
	Turning Part	DR-920T ABS
Fiber	DR-920	Acrylic Fiber 35% + Polypropylene 65%
	DR 920T	Pure Cotton 50% + Acrylic Fiber 50%
Cushion	Seat	Urethane form
Manufacturer		Duoback Korea Co., Ltd 543-2, Gajwa-Dong, Seo-Gu, Incheon, Korea, 404-250



LIMITED WARRANTY TERMS & CONDITIONS

- All DUOREST products comply with the highest standard of quality assurance and inspection programs. DUOREST products are fabricated using more than 100 pieces of parts which have undergone stringent superiority tests.
- In case any manufacturing or material defect with DUOREST chair is found, all parts will be provided free of charge during the warranty period from the original purchase date.
- This limited warranty is valid for ONE YEAR to THREE YEARS under an applicable warranty classification (from the date of purchase) against all possible manufacturing defects arising from materials and workmanship.
- This warranty becomes invalid should the serial number (bar code) be removed or altered. All repairs and service work under these warranties must be performed only by DUOREST authorized agent. Such service shall be provided during normal business hours. Customers are advised to contact DUOREST authorized agent for further details.
- The warranty amount is limited to no more than the value of the product. It does not cover damage caused by misuse or neglect, accidents, abrasions, normal wear and tear or any manner of tampering, self modifications, abuse or Act of God.
- If the purchased DUOREST product is damaged due to the above-mentioned causes, customers are advised to contact their local agent who will advise them of the appropriate solution which may be subjected to payment of a fee.
- If identical materials or models are not available at the time of repair or replacement, DUOREST authorized agent reserves all rights to substitute parts or models of equal quality or value.
- THIS LIMITED WARRANTY IS THE SOLE REMEDY FOR PRODUCT DEFECT AND NO OTHER EXPRESS OR IMPLIED WARRANTY IS PROVIDED, INCLUDING BUT NOT LIMITED TO ANY IMPLIED WARRANTIES OF MERCHANTABILITY OR FITNESS FOR A PARTICULAR PURPOSE. WE SHALL NOT BE LIABLE FOR CONSEQUENTIAL OR INCIDENTAL DAMAGES ARISING FROM ANY PRODUCT DEFECT.

WARRANTY CLASSIFICATION

PERIOD OF WARRANTY	PARTS	CLASSIFICATION
1 Year	Appearance and Surface	Damage and Discoloration of Materials.
2 Years	Function & Mechanism	Malfunction of Adjusting Height & Width, Swiveling and Locking.
3 Years	Body and Frame	Damage of Such Frames-Backrest Frame, Armrest Frames and Other Body Frames