

D2



Adjustment Guide

Adjustable Headrest

Optional Headrest accessory adjusts 63mm (2.5") vertically.

- Pivoting range : 60°

Arms

3D arms allow fluid adjustment in three directions :

- Height adjustment range : 72mm (2.8")
- Front-to-back adjustment range : 40mm (1.6")
- Pivoting arm caps : 17° inward and 17° outward

Seat

Seat Cover is removable for washing.

- Detachable and replaceable with the SMART SEAT based on Sensor Technology.
- Detachable and replaceable with the **VETAGEL** seat allow optimal distribution of pressure on the body by applying Multi-layer Honey Comb technology.

Weight-activated Synchronized Mechanism

Auto-Balance tension adjustment utilizes the weight of the user to balance resistance of the back.

3:1 back to seat synchronous movement with 3 position back lock.

Back reclines 18° from upright position.

Adjustable Backrest

Backrests allow fluid adjustment in two directions using Smart-Dial :

- Height adjustment range : 65mm (2.6")
- Width adjustment range : 65mm (2.6")

DUOREST® System

DUOREST® System makes dynamic sitting by allowing freedom of movement in any position.

DUOREST® System reduces fatigue and alleviates back pains associated with long sitting.

Seat Slider

Seat depth adjusts within a 50mm (2.0") range to accommodate users of varying leg lengths.

Base

27" (688mm) Five-arm base is available in plastic or polished aluminum.

Casters

50mm O.D. casters for use on hard floors. Only available in Black.



FEATURES

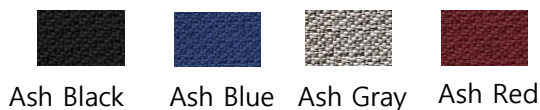
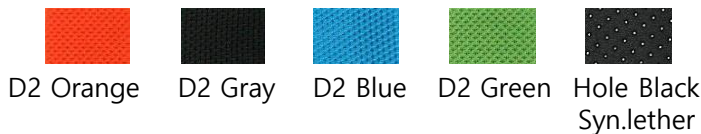
- Ergonomic DUOREST® System with Smart Dial
- Weight-activated Synchronized Mechanism from DONATI
- Backrest Tilt Lock in 3 positions by lever
- Standard Seat Slider
- Detachable seat and Removable Seat Cover
- 3-way Adjustable Armrest
- 50mm Hard Floor Casters in Black
- Frame available in Black and White
- Base available in Black, White and Polished Aluminum
- Standard 300 lbs. weight capacity

Textile

Black Frame

White Frame

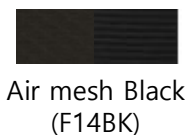
Back&seat(Fabric / syn.Leather)



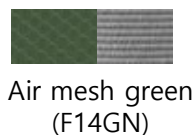
Seat(Mesh)



Seat (VETAGEL)



Back&seat (VETAGEL)



STATEMENT OF LINE



Standard



Without Headrest



Mesh seat



Vetagel seat

CERTIFICATIONS

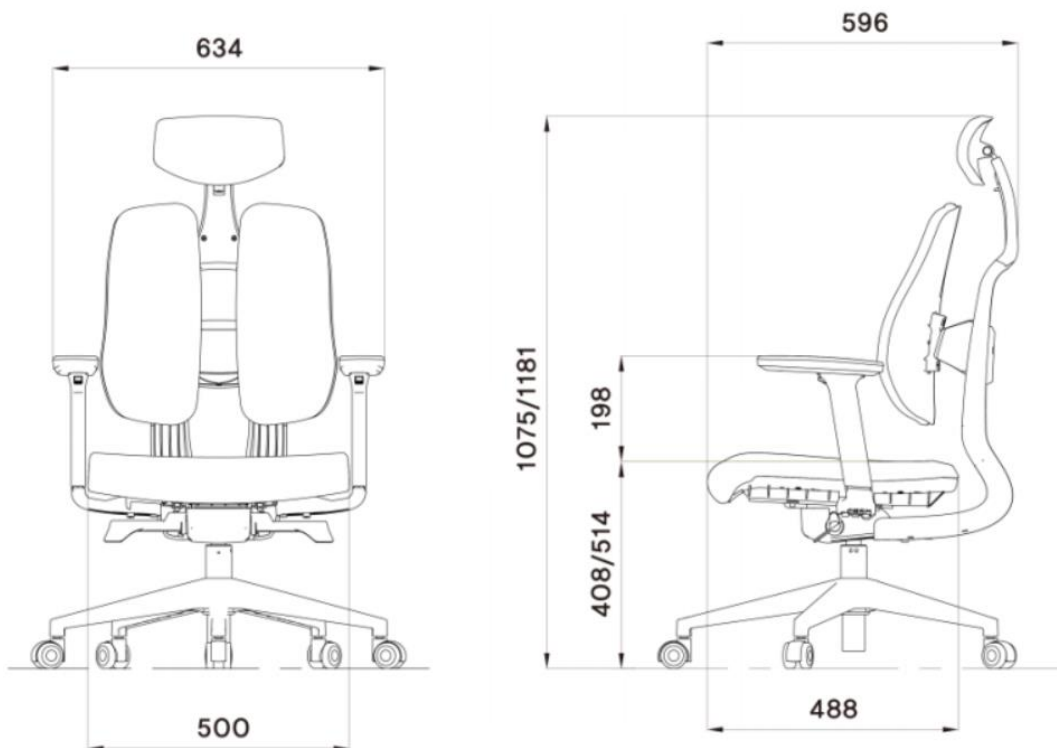
EN1335
ANSI/BIFMA X5.1-2017
TB117-2013
ISO 14001 & 9001



SPECIFICATIONS

• Net Weight	17.5kg (38.5 lbs)
• Headrest Frame	PA6
• Backrest Frame	PA6
• Cushion Seat	Polyurethane fill
• Seat Pan Frame	PP
• Adj. Armrest	PA6 and PU
• Base Materials	PA6
• Casters Materials	PA6 and PU
• Carton Box Size	685*650*415 (mm)
• Container Loading Plan	20ft : 137 boxes // 40ft : 288 boxes // 40H : 350 boxes

DIMENSIONS



DUOBACK CO.,LTD

HQ (Factory) : 27, Gajaeul-ro 32beongil, Seo-gu, Incheon, 22829, Korea.
Sales Office : #1002, 41, Digital-ro 31gil, Guro-gu, Seoul, 08375, Korea
T : +82-2-6204-2505 / F : +82-32-816-4817 / duo1350@duoback.co.kr
www.DUOREST.com

