

BRAVO



Adjustable Headrest

Optional Headrest accessory adjusts 40mm (1.6") vertically.

- Pivoting range : 60°

Mesh Back and Seat

Provides dynamic support and allows airflow, providing a comfortable sit in any environment.

- Optional **VETAGEL** seat allows optimal distribution of pressure on the body and excellent temperature and humidity control by applying Multi-layer Honey Comb technology.

Arms

3D arms allow fluid adjustment in three directions :

- Height adjustment range : 60mm (2.4")
- Front-to-back adjustment range : 60mm (2.4")
- Pivoting arm caps : 12° inward and 12° outward

Synchro Tilt Mechanism

Recline with a synchronized back and seat movement featuring a 3:1 back to seat tilt ratio.

3 position multi-lock with built-in safety return feature.

- Back reclines 21° from upright position.

Base

27" (684mm) Five-arm base is available in plastic or polished aluminum.

Flex Back System

Flex Back supports you and responds to your multidimensional movements

Lumbar Support

Lumbar height adjusts within a 95mm (3.7") range to provide additional lower back support.

Die-Casted Frame

Main Frame and Arm Frame connectors are made from Die Casting.

Seat Slider

Seat depth adjusts within a 60mm (2.4") range to accommodate users of varying leg lengths.

Casters

Soft dual-wheel casters are 60mm O.D. for use on hard floors. Only available in Black and White.



FEATURES

- Adjustable headrest with PU Pad
- Mesh Back with Adjustable Lumbar Support
- Synchronized Mechanism with Tension Adjuster from DONATI
- Backrest Tilt Lock in 3 positions by lever
- Flex Back System
- Standard Seat Slider
- 3-way Adjustable Armrest
- Die-Casted Frame for Seat and Arm connectors
- 60mm Hoodless Hard Floor Casters in Black
- Frame available in Black and White
- Base available in Black, White and Polished Aluminum
- Standard 300 lbs. weight capacity

Textile

Black Frame

White Frame

Mesh (Back & Seat)



Mesh Black
(I103BK)



Mesh L.Gray
(I103LG)



Mesh Beige
(I103BI)

Fabric (Seat)



EK34 Black
(E34BK)



EK34 L.Gray
(E34GYL)



EK34 Beige
(E34BI)

Seat (VETAGEL)



Air mesh Black
(F14BK)



Air mesh green
(F14GN)

STATEMENT OF LINE



Mesh seat



Sponge seat
without headrest



Mesh seat
White frame



Vetagel seat
White frame

CERTIFICATIONS

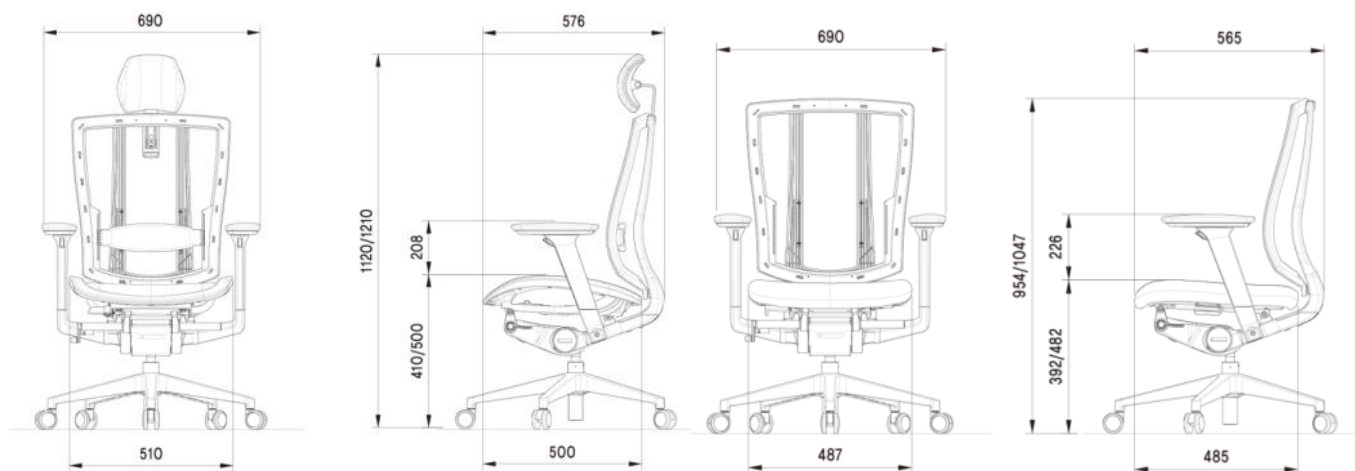
ANSI/BIFMA X5.1-2017
ISO 14001 & 9001



SPECIFICATIONS

• Net Weight	20.1kg (44.3 lbs)
• Headrest Frame (Post)	PU/PP+GF30% (PA6+GF30%)
• Backrest Frame	PA6+GF30% / PP
• Lumbar Support	PA6 and PU
• Cushion Seats	Polyurethane fill
• Seat Pan Frame	PA6+GF30%
• Adj. Armrest	PA6
• Base Materials	PA6+GF30%
• Casters Materials	PA6 and PU
• Carton Box Size	710*660*450(mm)
• Container Loading Plan	20ft : 128 boxes // 40ft : 271 boxes // 40H : 304 boxes

DIMENSIONS



BR-200M : net weight 20.1Kg, gross weight 22.3Kg

BR-050C : net weight 18.2Kg, gross weight 20.4Kg

DUOBACK CO.,LTD

HQ (Factory) : 27, Gajaeul-ro 32beongil, Seo-gu, Incheon, 22829, Korea.
Sales Office : #1002, 41, Digital-ro 31gil, Guro-gu, Seoul, 08375, Korea
T : +82-2-6204-2505 / F : +82-32-816-4817 / DUO1350@duoback.co.kr
www.DUOREST.com

